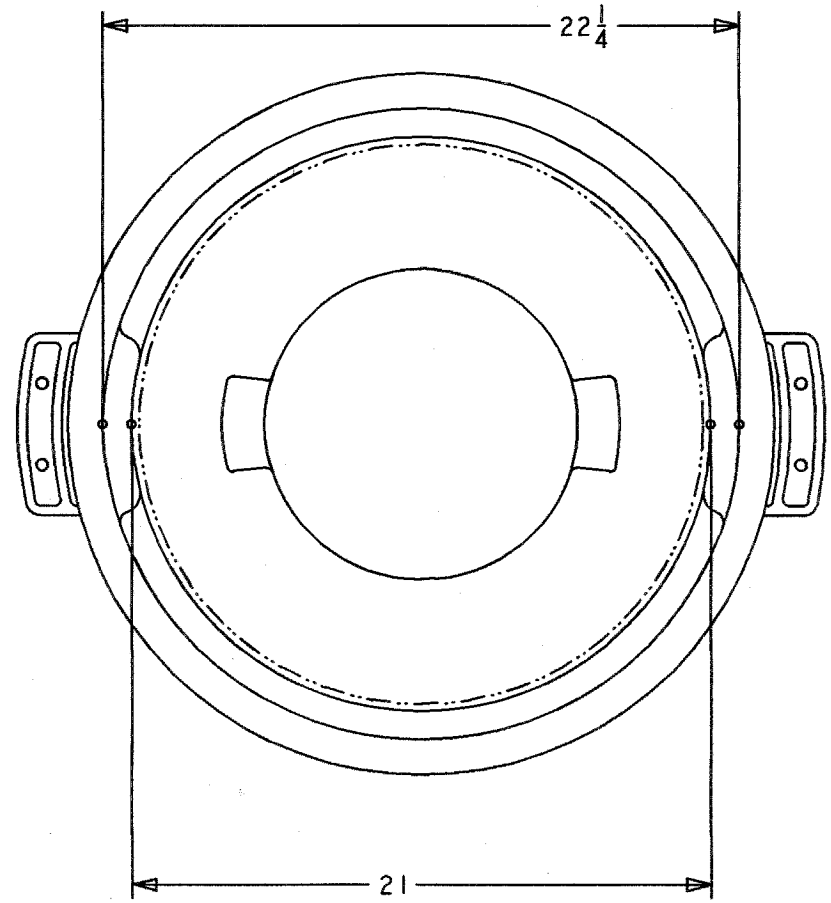
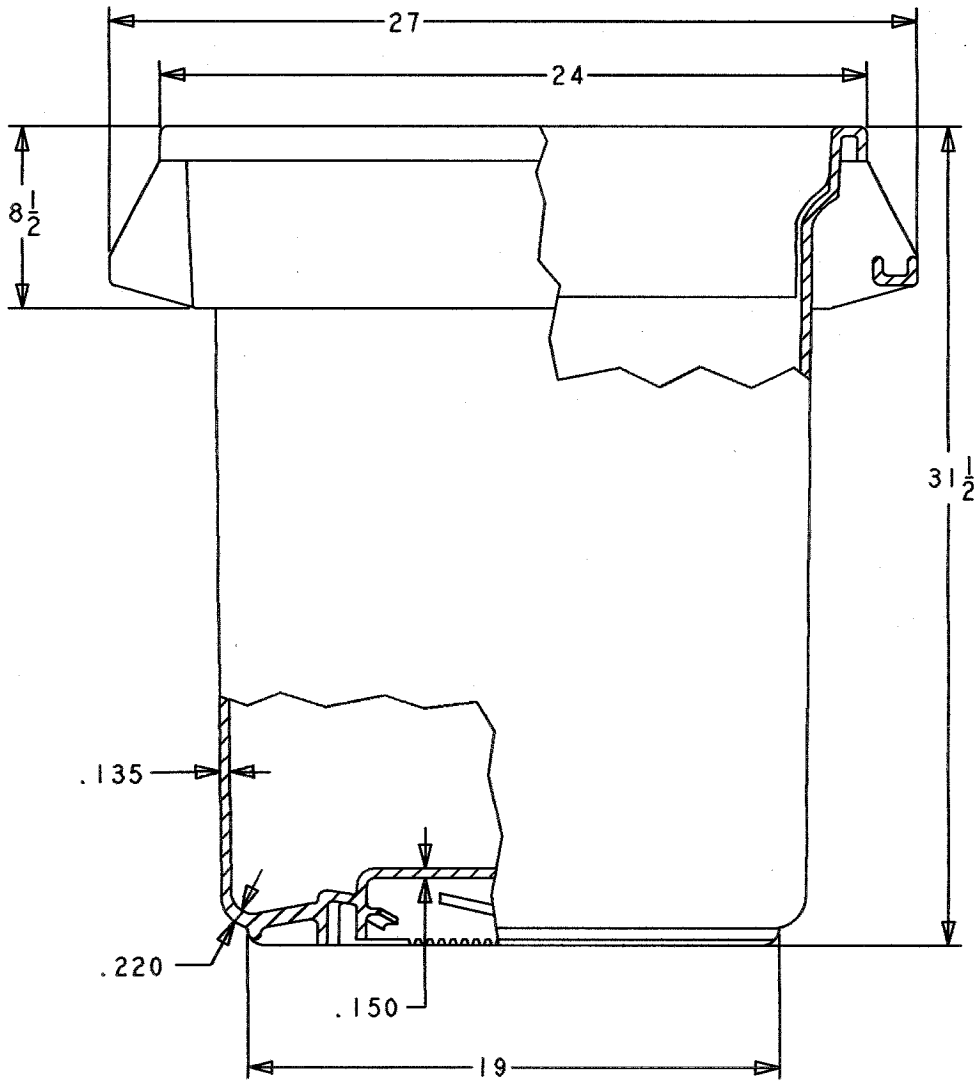


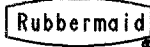
No.	Description/Materials
1	BRUTE CONT. - PE



TOP VIEW

total part wt. 12.0 LBS.
 capacity 44 GALS.

agency approvals NSF STD. #2 & #21,
 USDA MEAT & POULTRY
 CSFM WHEN USED WITH 2647
 miscellaneous

Product Specifications
 RUBBERMAID COMMERCIAL PRODUCTS INC.
 product name BRUTE CONTAINER
 product no. 2643 revision 6

product no. 2643