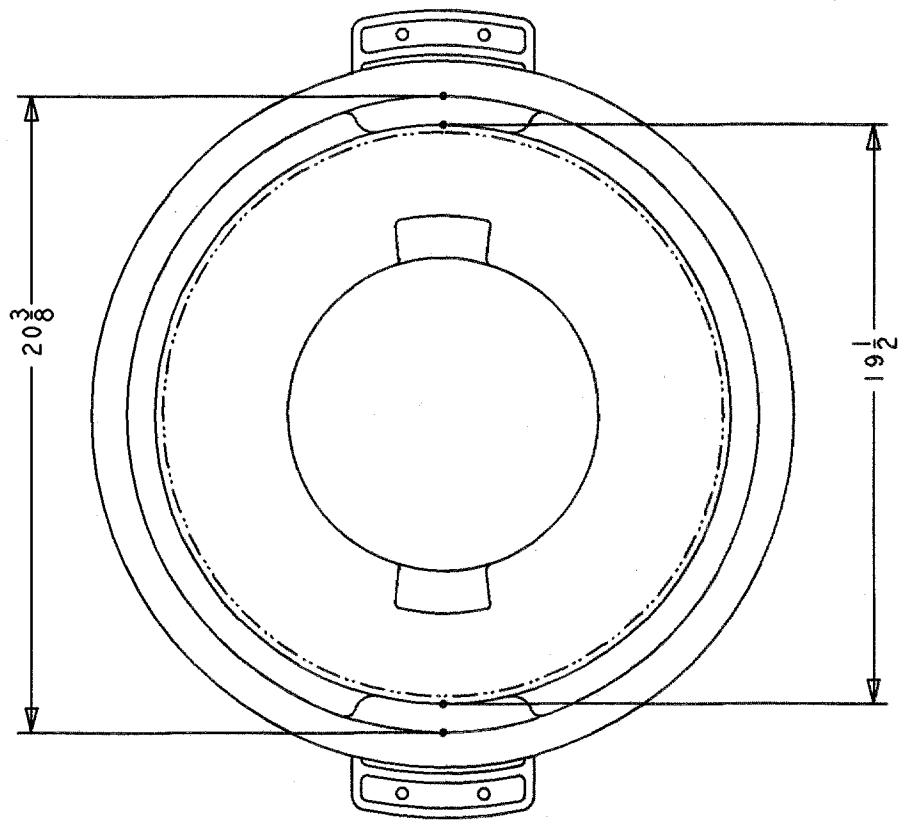
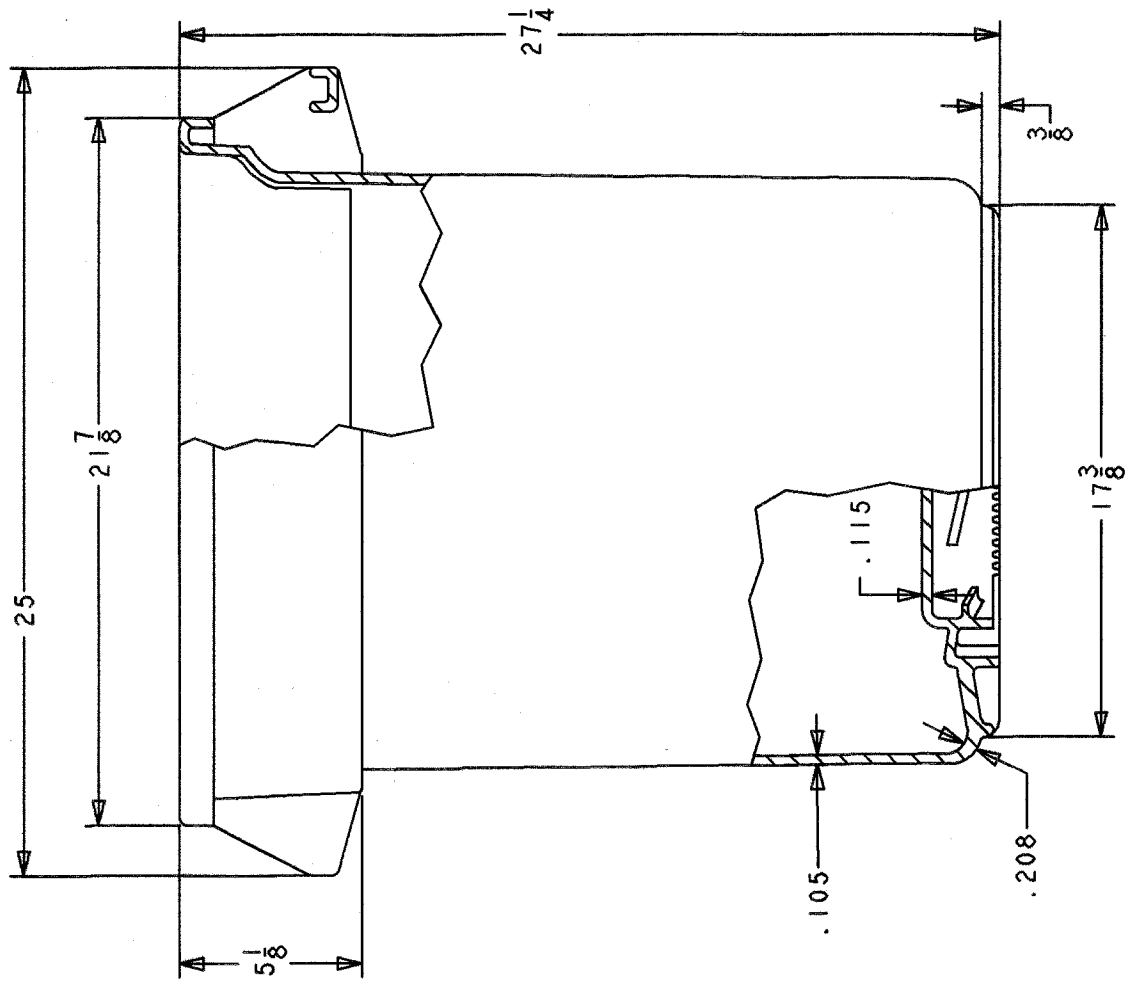



No.	Description/Materials
1	BRUTE CONT. - PE



TOP VIEW

product no. 2632

total part wt. 8.0 LBS. capacity 32 GALS.	agency approvals NSF STD. #2 & #21 USDA MEAT & POULTRY, CSFM WHEN USED WITH 2637 miscellaneous	Product Specifications  RUBBERMAID COMMERCIAL PRODUCTS INC. product name BRUTE CONTAINER product no. 2632 revision 6
--	---	--