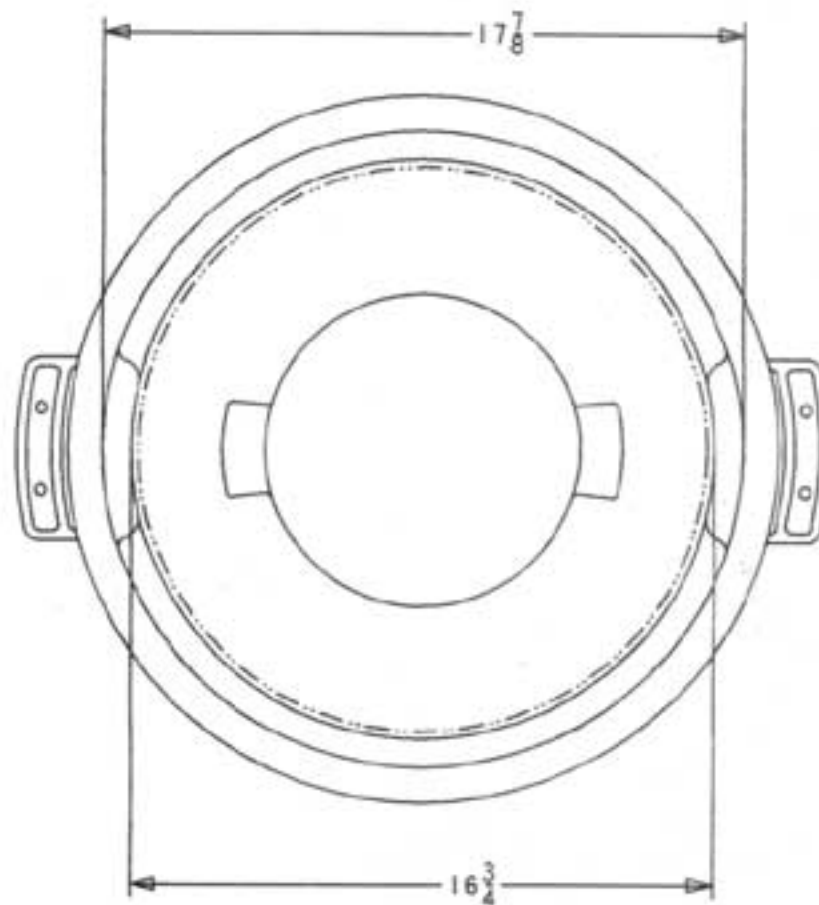


No.	Description/Materials
1	BRUTE CONT. - PE



TOP VIEW

total part wt. 5.8 LBS.

capacity 20 GALS.

agency approvals NSF STD. #2 & #21,
USDA MEAT & POULTRY

miscellaneous

Product Specifications

Rubbermaid RUBBERMAID
COMMERCIAL
PRODUCTS INC.

product name BRUTE CONTAINER

product no. 2620 revision 5

Product No. 2620