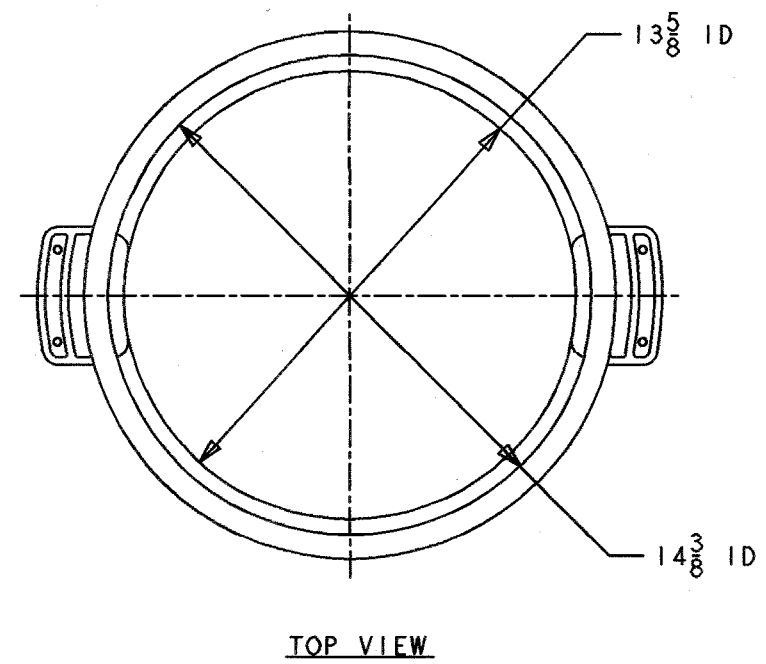
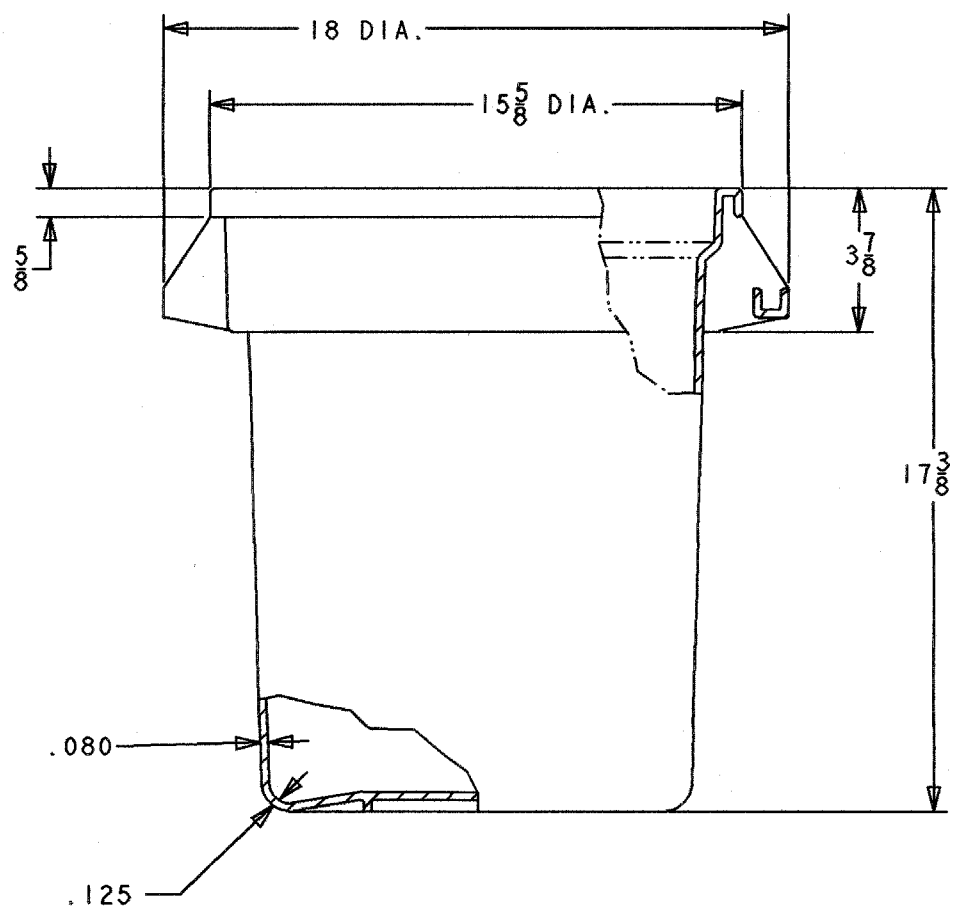
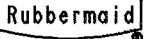


No.	Description/Materials
1	CONT. - PE



total part wt. <u>2.6 LB.</u>
capacity <u>10 GAL.</u>

agency approvals <u>NSF STD. #2 & #21, USDA MEAT & POULTRY</u>
miscellaneous _____

<h3>Product Specifications</h3>	
 RUBBERMAID COMMERCIAL PRODUCTS INC.	
product name	<u>BRUTE CONTAINER</u>
product no.	<u>2610</u> revision <u>4</u>

product no. 2610